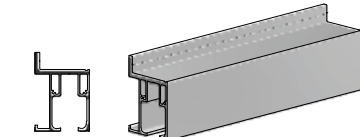
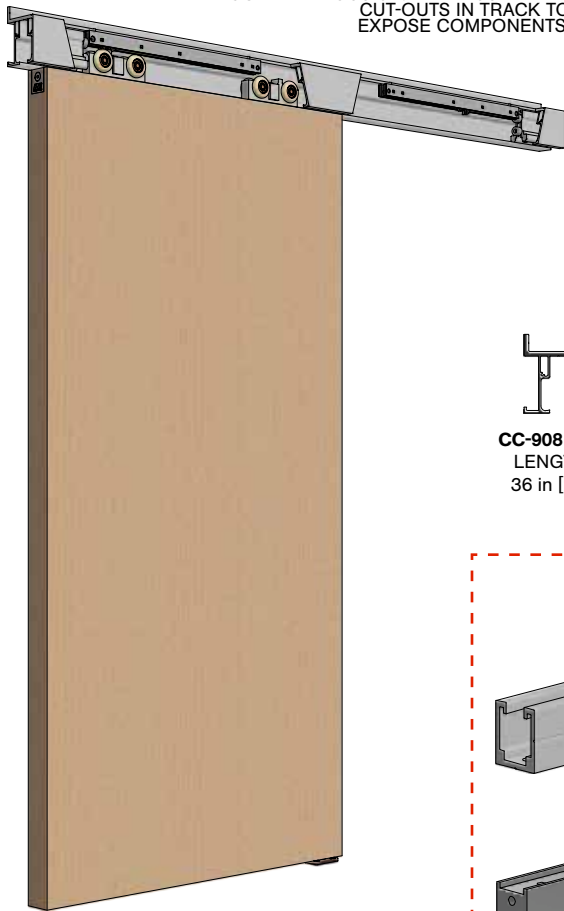


COMPLETE CCS-810 KIT ILLUSTRATED.
CUT-OUTS IN TRACK TO
EXPOSE COMPONENTS.

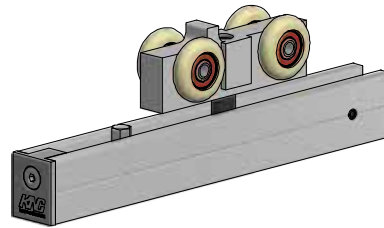
CROWDERTRACK'S CATCH 'N' CLOSE™ SYSTEM

- PREVENTS BOUNCING AND SLAMMING OF SLIDING DOORS
- CAN BE INSTALLED ON BOTH OPENING AND CLOSING ENDS OF DOORS AS NARROW AS 30 in [762 mm] WIDE
- CYCLE TESTED UP TO 50,000 TIMES
- FOR UP TO 300 lbs. [136 kg] USING CC-810 WITH CC-3

PARTS LIST - FOR STANDARD CCS-810 1DR KIT



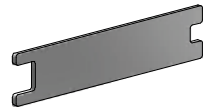
CC-908 SIDE MOUNT TRACK X LENGTH (1)
LENGTH = 2 X DOOR WIDTH, EXAMPLE:
36 in [914 mm] = 72 in [1829 mm] TRACK



**CC-810 ZERO CLEARANCE
CATCH 'N' CLOSE HANGER (2)**
(COMPLETE ASSEMBLY)

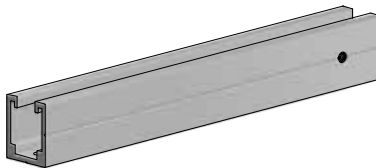


**C-819 5/32 in
ALLEN KEY (1)**

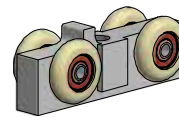


**C-818 ADJUSTMENT
WRENCH (1)**

DISASSEMBLED PARTS LIST



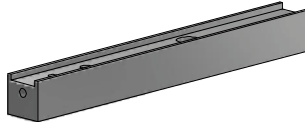
C-811 'U'-HOUSING (1)



CC-912 HANGER BODY (2)
(c/w WHEELS)



C-815 END CAP (1)



C-812 'H'-BAR (1)



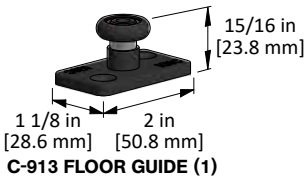
C-814 HANGER STUD (1)



**C-816 SAFETY
LOCK BOLT (1)**



**1/4-20 X 1-1/4"
FLAT HEAD
SOCKET CAP
SCREW (1)**
[FT41]



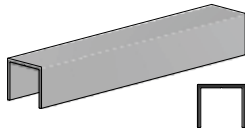
C-913 FLOOR GUIDE (1)



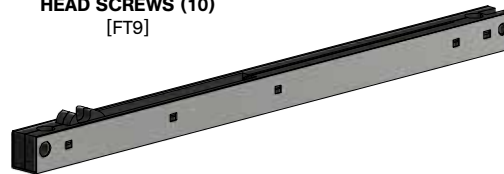
#8 X 3/4" PAN HEAD SCREWS (4)
[FT2]



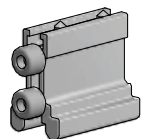
**#10 X 1 3/4" FLAT
HEAD SCREWS (10)**
[FT9]



C-914 GUIDE CHANNEL X LENGTH (1)
(LENGTH = DOOR WIDTH,
EXAMPLE: 36 in [914 mm] DOOR =
36 in [914 mm] GUIDE CHANNEL LESS
SET-BACKS IF DESIRED)



CATCH 'N' CLOSE CLOSING DEVICE (2)
(SEE DETAILS IN INSTRUCTION STEPS)



**CC-101HD CATCH 'N' CLOSE
IN-TRACK STOPS (2)**



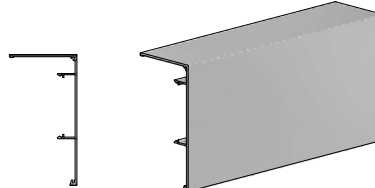
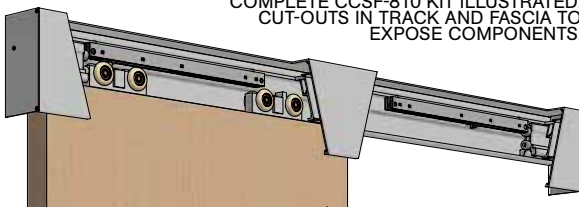
**#10 X 1 1/2" FLAT
HEAD SCREWS (2)**
[FT7]



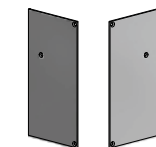
**#10 X 1 1/2" SELF DRILLING
SCREWS (4)**
[FT5]

OPTIONAL ADD-ON PRODUCTS

COMPLETE CCSF-810 KIT ILLUSTRATED.
CUT-OUTS IN TRACK AND FASCIA TO
EXPOSE COMPONENTS.



CC-980 SNAP-ON FASCIA X LENGTH (1)
LENGTH = SAME AS TRACK LENGTH, EXAMPLE:
72 in [1829 mm] = 72 in [1829 mm] FASCIA

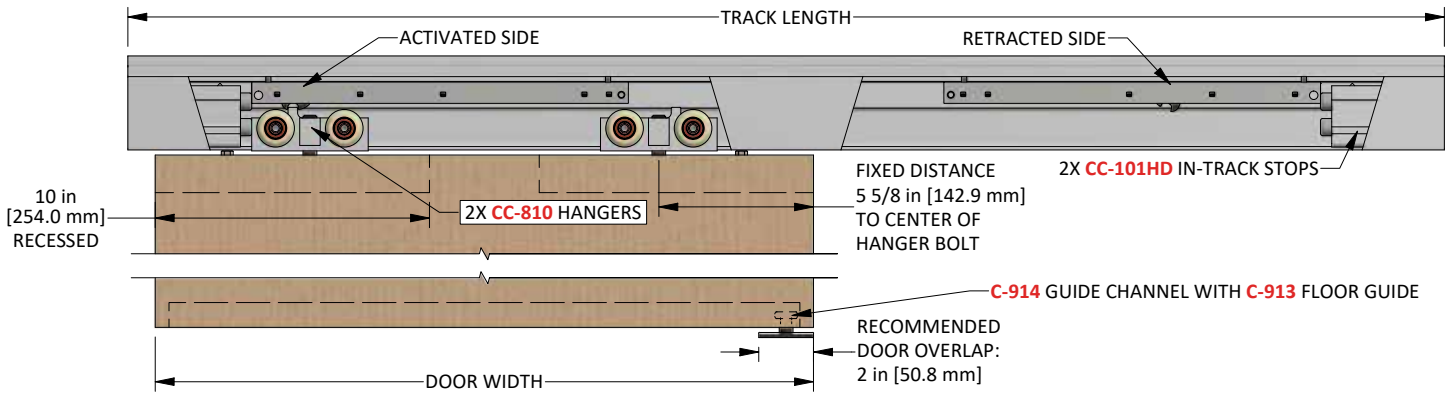


**CC-982 END CAPS
(LEFT & RIGHT) (2)**



**#4 X 5/16"
FLAT HEAD
SCREWS (6)**
[FT29]

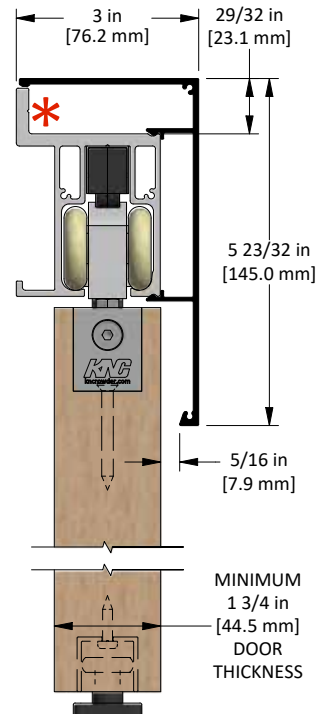
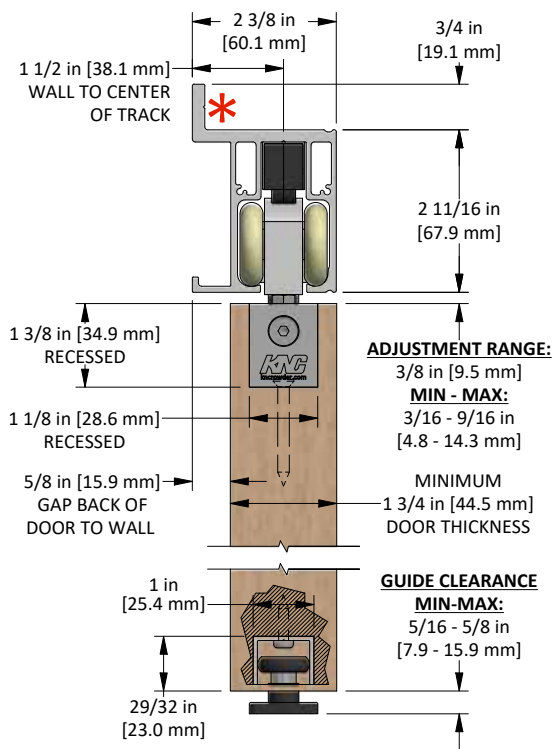
COMPLETE INSTALLATION ELEVATION VIEW



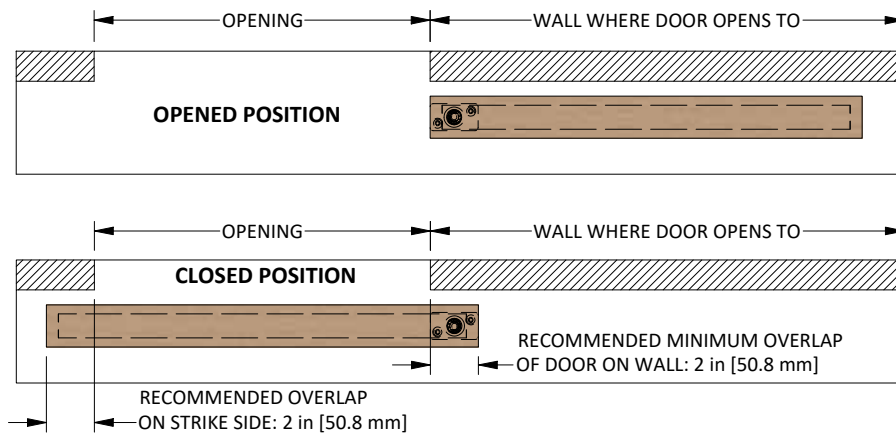
* INDICATES MOUNTING FLANGE ON CC-908 TRACK

OPTIONAL CC-980 SNAP-ON FASCIA, ILLUSTRATED AS SOLID BLACK PROFILE

CCS[F]-810 KIT DETAILS
(CC-810 HANGER, CC-908 TRACK, C-914/C-913 GUIDE SYSTEM)



TYPICAL INSTALLATION LOCATION FOR FLOOR GUIDES: FOR BARN DOOR APPLICATIONS



STEP #1:

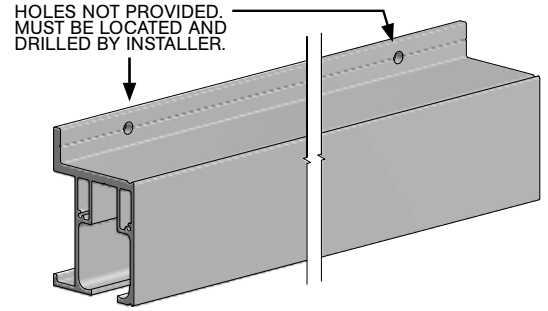
DETERMINE DOOR SIZE, HEADER HEIGHT, TRACK POSITION, AND BOTTOM CLEARANCE BASED ON KIT CODE ORDERED BY USING DIMENSIONS SHOWN IN DETAIL VIEWS ON PREVIOUS PAGE.

STEP #2:

NOTE: IF ACCESS TO THE ENDS OF TRACK IS NOT AVAILABLE, STEPS #3 & 4 MUST BE COMPLETED BEFORE STEP #2.

CUT CC-908 ALUMINUM TRACK TO SIZE IF REQUIRED (TYPICALLY 2 X THE DOOR WIDTH). LOCATE AND PRE-DRILL HOLES IN MOUNTING FLANGE ON TRACK. SECURE TRACK TO STRUCTURAL SUPPORT/BACKING.

NOTE: SOLID BACKING IS REQUIRED. RECOMMENDED TO USE 5/16" DIAMETER LAG OR STRUCTURAL BOLTS TO SECURE TRACK. SPACING IS RECOMMENDED TO BE BETWEEN 12-16 in [304-406 mm] ON CENTER. CONSULT STRUCTURAL ENGINEER TO ENSURE ADEQUATE SUPPORT & FASTENING.



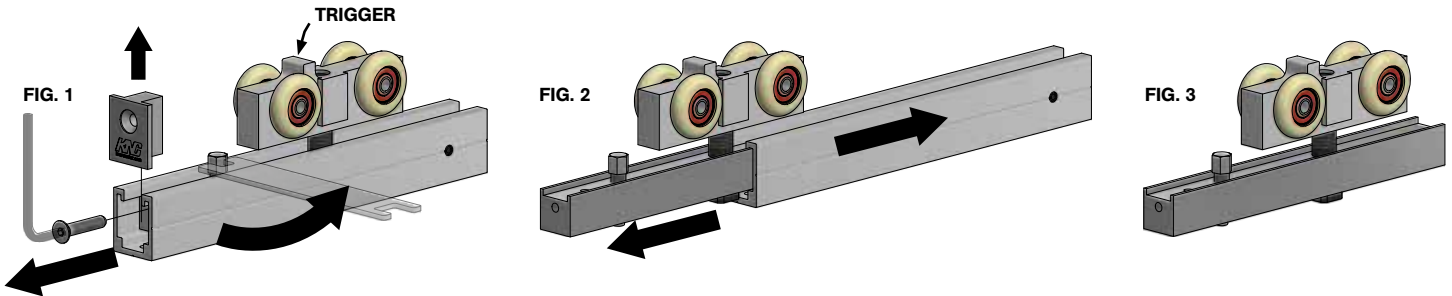
STEP #3:

DISASSEMBLE CC-810 CATCH 'N' CLOSE HANGERS AS SHOWN BELOW:

FIG. 1 - REMOVE 1/4-20 X 1-1/4" FLAT HEAD SOCKET CAP SCREW [FT41] WITH SUPPLIED C-819 5/32" ALLEN KEY, LIFT OUT C-815 END CAP AND LOOSEN C-816 SAFETY LOCK BOLT WITH SUPPLIED C-818 WRENCH.

FIG. 2 - SLIDE THE HANGER ASSEMBLY OUT OF THE C-811 'U'-HOUSING

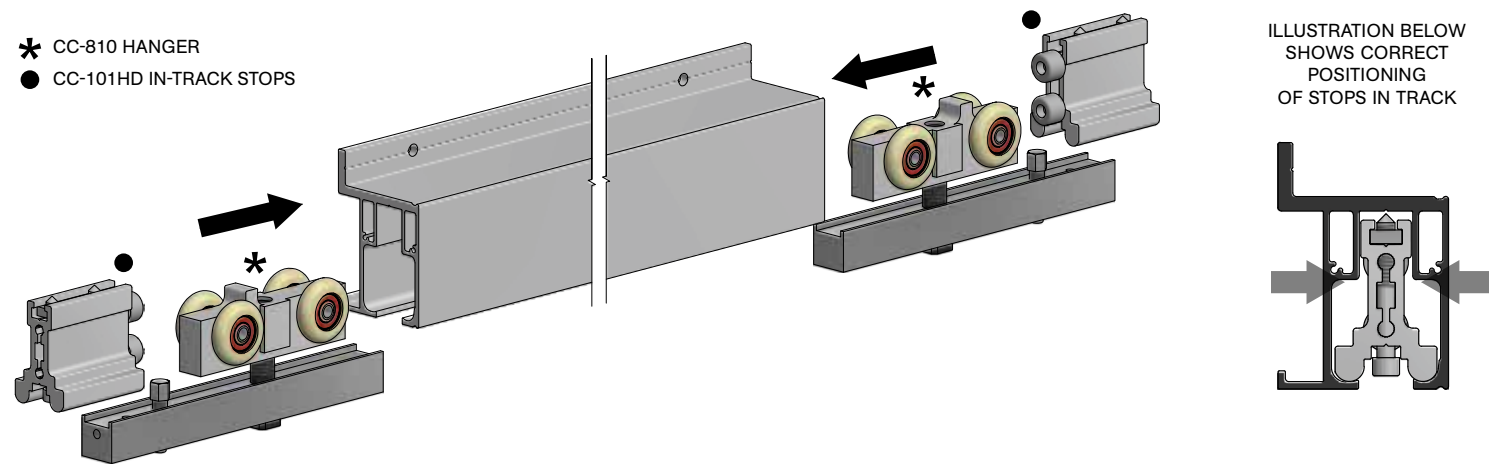
FIG. 3 - COMPLETE DISASSEMBLED HANGER ASSEMBLY (2X REQUIRED)



STEP #4:

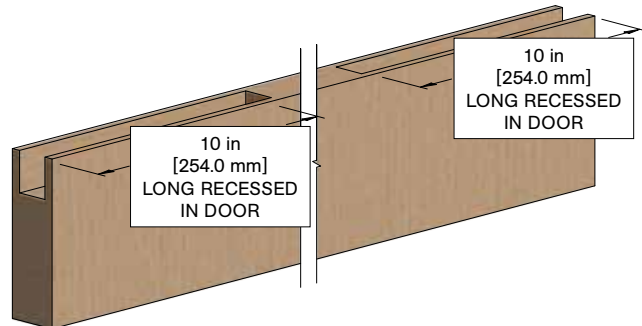
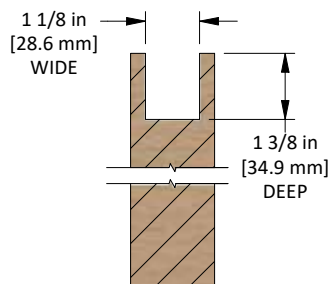
SLIDE ONE (1) CC-810 HANGER ASSEMBLY (*) WITH TRIGGER FACING END OF TRACK AND ONE (1) CC-101HD IN-TRACK STOP (●) INTO EACH END OF TRACK (AS SHOWN BELOW).

NOTE: LEAVE SCREWS ON CC-101HD IN TRACK STOPS (●) LOOSE TO ALLOW STOPS TO SLIDE FREELY WITHIN TRACK. RUBBER BUMPERS OF EACH STOP (●) SHOULD FACE INWARD (TOWARD MIDDLE OF TRACK).

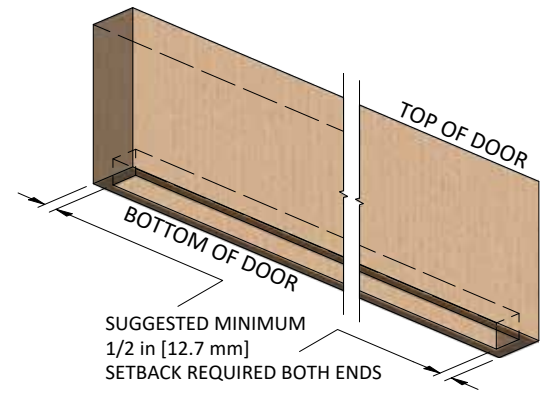


STEP #5:

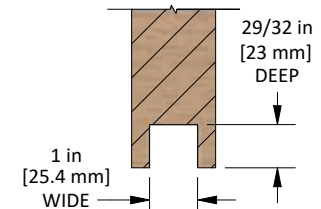
PREPARE DOOR TO RECEIVE C-811 'U'-HOUSING FLUSH WITH TOP EDGE OF DOOR. SLOTS MUST BE 1 1/8 in [28.6 mm] WIDE, 1 3/8 in [34.9 mm] DEEP, AND 10 in [254.0 mm] LONG. SEE RIGHT.



NOTE:
 IF DOOR HAS SUFFICIENT OVERLAP, GUIDE CHANNEL CAN BE RECESSED INTO DOOR WITHOUT CUTTING A FULL-LENGTH SLOT IN DOOR. IF GUIDE CHANNEL WILL BE FULLY RECESSED, IT IS RECOMMENDED TO HAVE AT LEAST 1/2 in [12.7 mm] DOOR MATERIAL AT EACH END OF DOOR BEFORE START OF GUIDE CHANNEL SLOT.

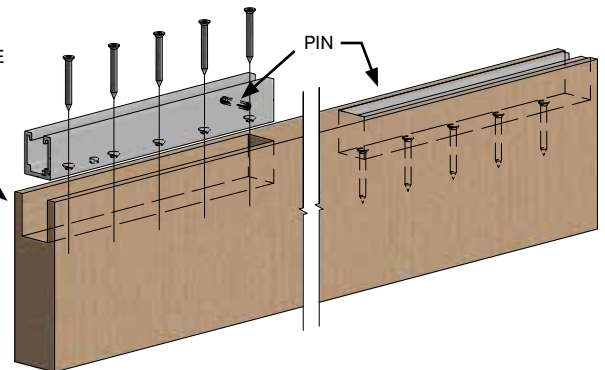


STEP #6:
 PREPARE C-914 GUIDE CHANNEL SLOT IN BOTTOM OF DOOR:
 1 in [25.4 mm] WIDE IN CENTER OF DOOR, 29/32 in [23 mm] DEEP AND SET BACK 1/2 in [12.7 mm] FROM BOTH EDGES OF DOOR. MAKE SLOT AS ACCURATE AS POSSIBLE FOR SECURE FIT AND NEAT APPEARANCE.

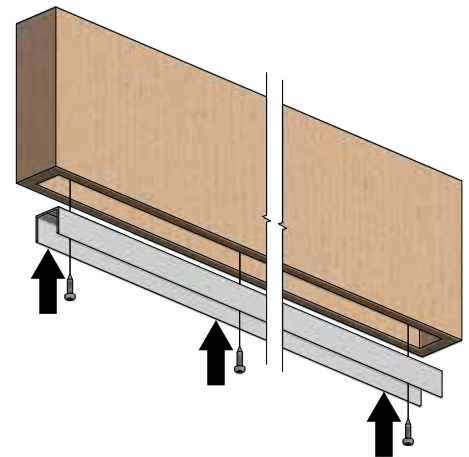


STEP #7:
 PLACE C-811 'U'-HOUSING INTO SLOT CREATED IN STEP #5 WITH PIN TOWARDS THE CENTER OF THE DOOR IN ORDER TO ACCOMMODATE C-815 END CAP, SEE ILLUSTRATION RIGHT FOR DETAILS. SECURE TO DOOR WITH (5) #10 X 1 3/4" FLAT HEAD SCREWS [FT9]. REPEAT FOR OPPOSITE END OF DOOR.

1/8 in [3.2 mm] SET BACK REQUIRED FOR C-815 END CAP (SAME ON OPPOSITE END)

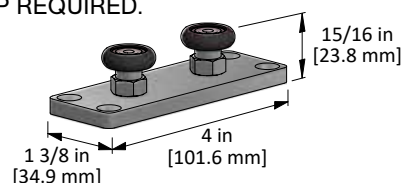
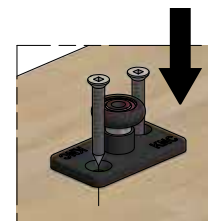


STEP #8:
 CUT C-914 ALUMINUM GUIDE CHANNEL TO CORRECT LENGTH AS REQUIRED. DRILL HOLES IN C-914 GUIDE CHANNEL AND PRE-DRILL HOLES IN DOOR. LOCATE C-914 GUIDE CHANNEL IN SLOT AND SECURE CHANNEL INTO PLACE WITH (4) #8 X 3/4" PAN HEAD SCREWS [FT2].



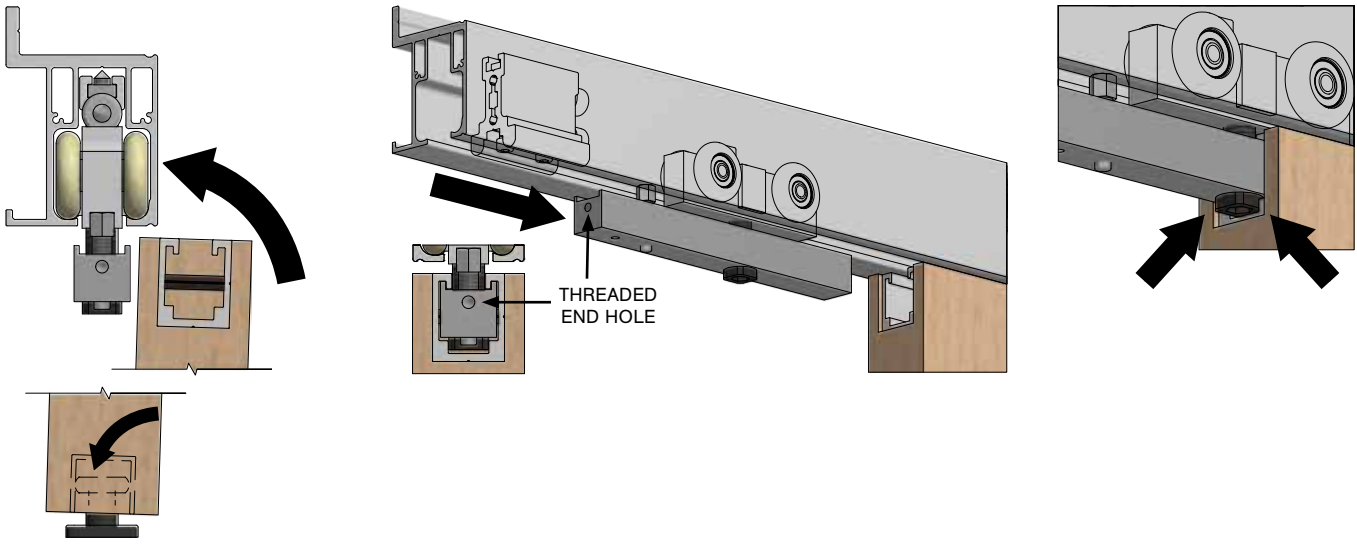
STEP #9:
 POSITION C-913 GUIDE PER TYPICAL INSTALLATION LOCATION DETAILS (PAGE 2) AND SECURE TO FLOOR WITH (2) #10 X 1 1/2" FLAT HEAD SCREWS [FT7].

FOR 120" KITS AND UP, C-913-2 DOUBLE ROLLER FLOOR GUIDE IS SUPPLIED. MINIMUM 4 in [101.6 mm] OVERLAP REQUIRED.



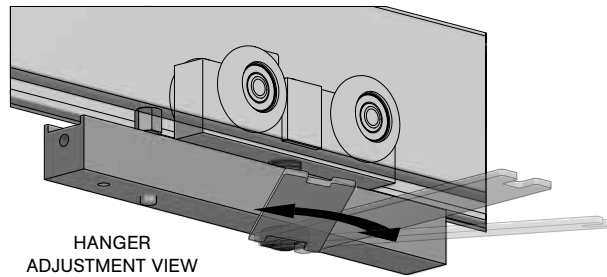
STEP #10:

RAISE DOOR, POSITION OVER GUIDE. SLIDE THE C-812 'H'-BAR INTO THE C-811 'U'-HOUSINGS PREVIOUSLY INSTALLED ON DOORS. **NOTE: THREADED END HOLE MUST FACE OUTWARD. THE SQUARE BASE OF THE C-814 HANGER STUD MUST BE ALIGNED WITH THE LOWER CHANNEL SLOT OF THE C-811 'U'-HOUSING. THE PURPOSE OF THIS SQUARE BASE IS TO PREVENT ROTATION OF THE BOLT THEREFORE SECURING THE HEIGHT ADJUSTMENT. REPEAT STEP FOR OPPOSITE END OF DOOR.**



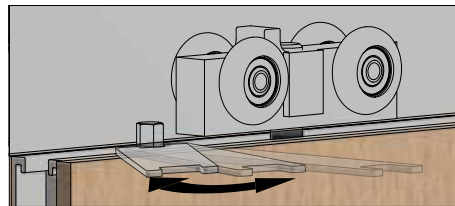
STEP #11:

TO ADJUST DOOR HEIGHT AND PLUMB, SLIDE C-812 'H'-BAR OUT OF C-811 'U'-HOUSING AND ADJUST C-814 HANGER STUD WITH C-818 ADJUSTMENT WRENCH. REPEAT UNTIL REQUIRED HEIGHT AND PLUMB IS ACHIEVED.



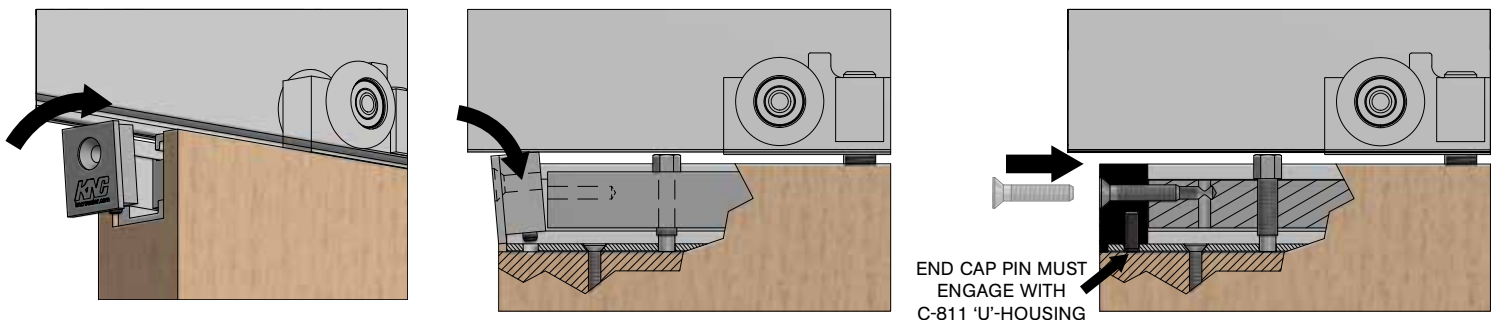
STEP #12:

ONCE ADJUSTMENTS HAVE BEEN FINALIZED, SECURE C-816 SAFETY LOCK BOLT WITH C-818 ADJUSTMENT WRENCH. **NOTE: THIS CUSTOM BOLT HAS BEEN MANUFACTURED TO ENGAGE A PRE-DRILLED POSITION IN THE C-811 'U'-HOUSING IN ORDER TO PREVENT ACCIDENTAL DISENGAGEMENT.**



STEP #13:

INSTALL C-815 END CAPS WITH THE LOWER PIN ENGAGING THE HOLE IN THE BOTTOM OF THE C-811 'U'-HOUSING. SECURE END CAP WITH 1/4-20 X 1-1/4" FLAT HEAD SOCKET CAP SCREW [FT41] BY USING C-819 ALLEN KEY.



STEP #14:

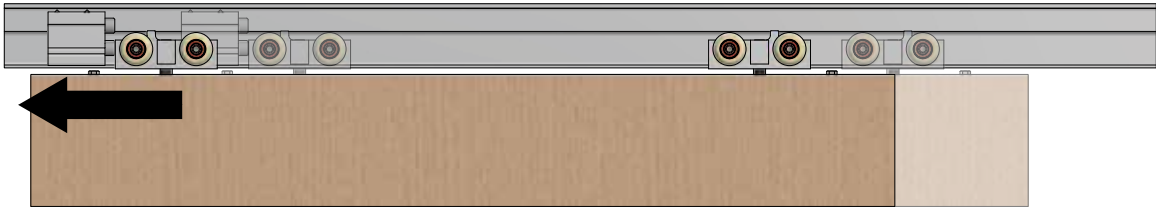
AFTER DOOR HAS BEEN INSTALLED, POSITION DOOR APPROXIMATELY 5-10 in [127-254 mm] AWAY FROM FINAL POSITION AT ONE END (SHOWN BELOW WITH LEFT SIDE). PUSH LOOSE CC-101HD STOP (INSTALLED IN STEP #4) AGAINST HANGER BODY AS SHOWN BELOW.



STEP #15:

WITH CC-101HD STOP LOOSE, SLIDE DOOR TO FINAL/DESIRED POSITION OF DOOR AS SHOWN BELOW.

NOTE: ENSURE THAT STRIKE AND TRIM THICKNESS ARE TAKEN INTO CONSIDERATION FOR FINAL/DESIRED POSITION OF DOOR.



STEP #16:

ONCE FINAL POSITION IS ACHIEVED, SLIDE DOOR AWAY FROM CC-101HD STOP. LOCK CC-101HD STOP IN POSITION BY TIGHTENING TWO CAP SCREWS ON CC-101HD STOP WITH 3/16" ALLEN KEY (CC-101HD IS SECURED BY FRICTION FIT WITH CONE POINT SCREWS).



STEP #17:

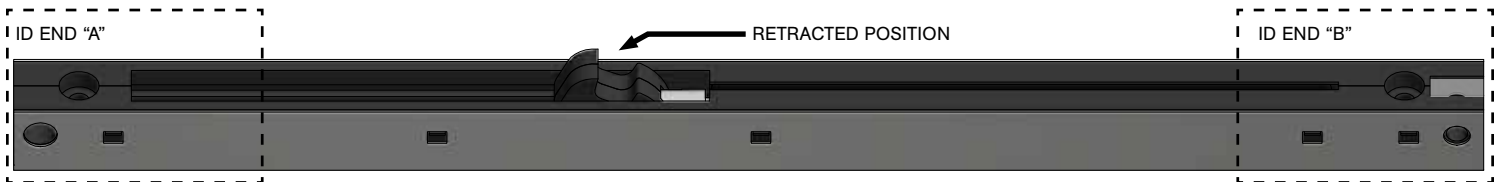
REPEAT STEPS #14 - #16 FOR OPPOSITE SIDE.

NOTE: ENSURE THAT STRIKE AND TRIM THICKNESS ARE TAKEN INTO CONSIDERATION FOR FINAL/DESIRED POSITION OF DOOR.

STEP #18:

BEFORE INSTALLING CATCH 'N' CLOSE CLOSING DEVICES, ENSURE DEVICES ARE IN RETRACTED POSITION AS SHOWN BELOW. IF NOT IN REQUIRED POSITION, SLIDE HOOK DOWN UNTIL IT LOCKS IN POSITION.

NOTE: REQUIRES SIGNIFICANT FINGER PRESSURE.



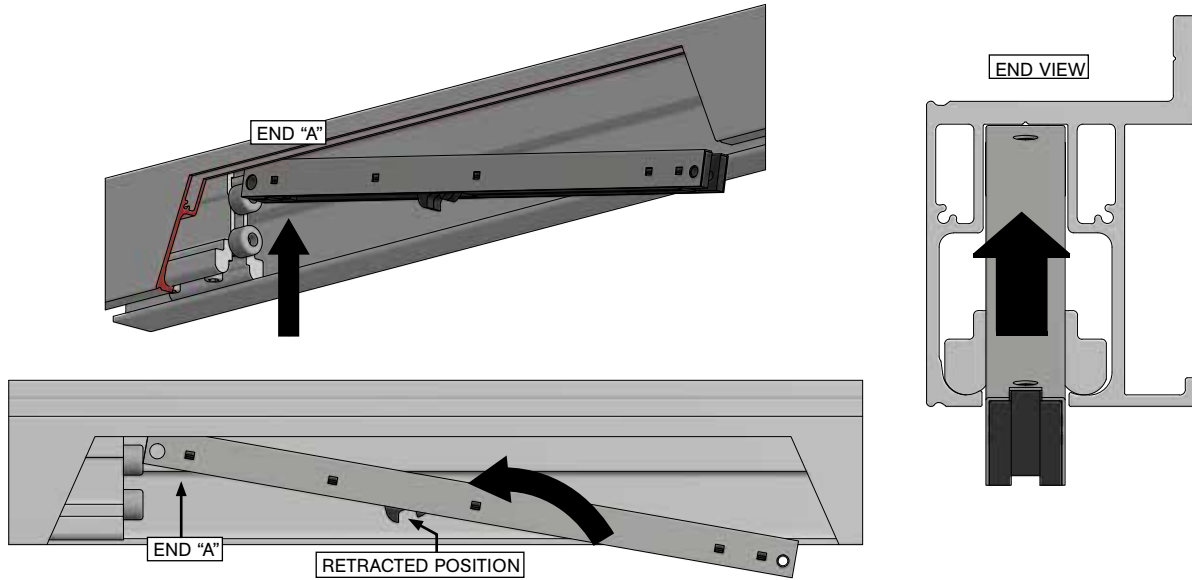
IMPORTANT CATCH 'N' CLOSE CLOSING DEVICE NOTES:

IF DOORS ARE 200LBS OR LESS, ENSURE CC-2 CATCH 'N' CLOSE CLOSING DEVICES ARE USED.

IF DOORS ARE MINIMUM 200LBS UP TO 300LBS, ENSURE CC-3 CATCH 'N' CLOSE CLOSING DEVICES ARE USED.

STEP #19:

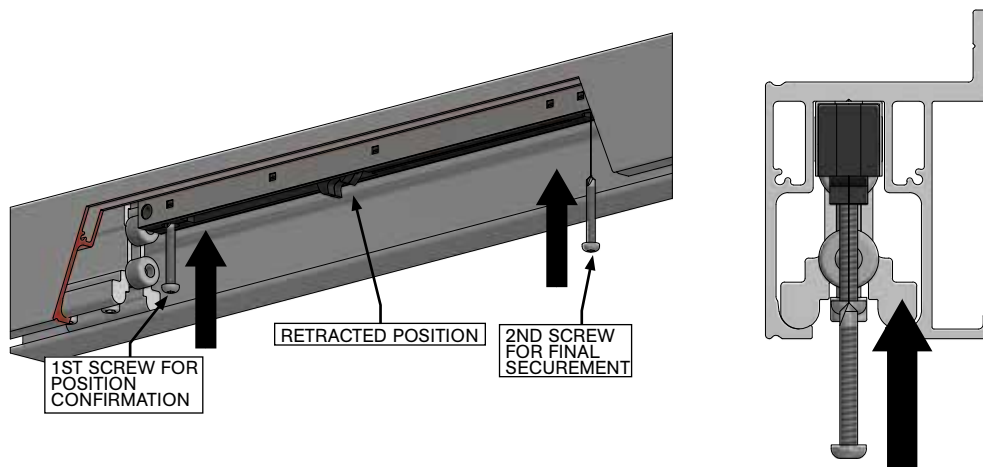
PLACE CATCH 'N' CLOSE CLOSING DEVICE INTO TRACK WITH LEADING END "A" RESTING AGAINST UPPER BODY ON CC-101HD STOPS INSTALLED PREVIOUSLY. SEE ILLUSTRATIONS BELOW:



STEP #20:

SECURE CATCH 'N' CLOSE CLOSING DEVICE TO TRACK WITH (2) #10 X 1 1/2" SELF DRILLING SCREWS [FT5]. REPEAT FOR OPPOSITE END WITH CATCH 'N' CLOSE CLOSING DEVICE INSTALLED IN REVERSE AS SHOWN ON FRONT PAGE IN "COMPLETE INSTALLATION ELEVATION VIEW" ILLUSTRATION.

NOTE: IF USING IMPACT DRIVE TO SECURE CATCH 'N' CLOSE DEVICES, DO NOT OVERTIGHTEN SCREWS. IT IS RECOMMENDED TO PRE-DRILL TRACK WITH Ø9/64 in [3.6 mm] DRILL BIT. SECURE FIRST SCREW CLOSEST TO CC-101HD STOP ONLY AND TEST SYSTEM BY SLIDING DOOR TO ACTIVATE CATCH 'N' CLOSE. IF IT IN CORRECT POSITION, SECURE WITH SECOND SCREW. REMOVE ANY DRILL FILLINGS FROM INSIDE TRACK.



STEP #21:

TEST COMPLETE CATCH 'N' CLOSE SYSTEM BY SLIDING DOOR TO BOTH LEFT AND RIGHT TO ACTIVATE CLOSING DEVICES.

CC-980 FASCIA & CC-982 END CAP INSTALLATION

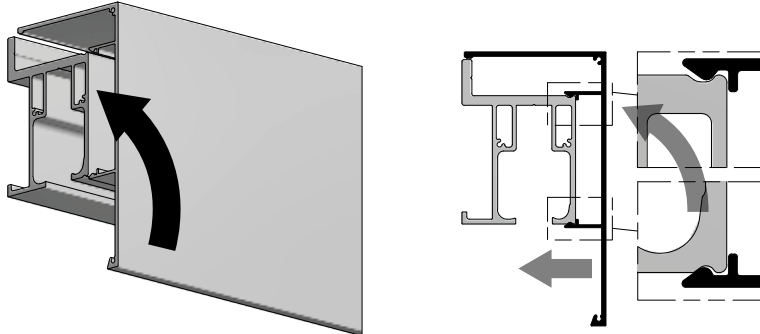
STEP #F1:

CUT CC-980 FASCIA TO CORRECT LENGTH IF REQUIRED. TYPICALLY, FASCIA IS SAME LENGTH AS TRACK PREVIOUSLY INSTALLED.

STEP #F2:

LIFT FASCIA UP TO TRACK AND SNAP-ON AS SHOWN BELOW.

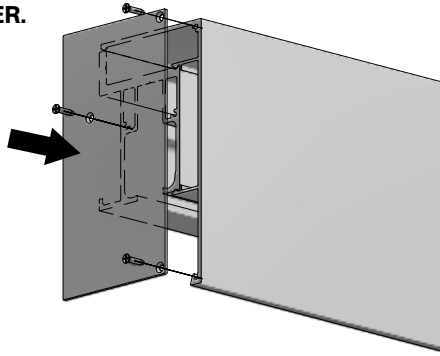
NOTE: IF FASCIA IS LOOSE AND A TIGHTER FIT IS DESIRED, USE A RUBBER Mallet ON INSIDE LEG OF FASCIA TO REDUCE GAP (AT +/-24 in [610 mm] INTERVALS).



STEP #F3:

INSTALL CC-982 END CAP AS SHOWN BELOW WITH THE SUPPLIED #4 X 5/16" FLAT HEAD SCREWS [FT29] (3 SCREWS PER END CAP PROVIDED).

NOTE: DO NOT INSTALL WITH IMPACT DRIVER.



TROUBLESHOOTING

ISSUE	SOLUTION
CHATTER/NOISE WHEN DOOR IS SLIDING	ENSURE THERE ARE NO ALUMINUM SHAVINGS WITHIN TRACK. SHAVINGS CAN BECOME EMBEDDED IN NYLON TIRES AND CAUSE NOISE DURING OPERATION.
DOOR IS HARD TO MOVE	ENSURE GUIDE CHANNEL SECURED TO BOTTOM OF DOOR IS NOT OVER-TIGHTENED AS THIS COULD CAUSE SIDES OF GUIDE CHANNEL TO "PINCH" GUIDE. REMOVE DOOR AND CHECK GUIDE CHANNEL BY ROLLING GUIDE ROLLER IN CHANNEL TO ENSURE SMOOTH TRAVEL. THERE SHOULD BE LITTLE TO NO RESISTANCE. ENSURE DOOR IS NOT DRAGGING ON BOTTOM OF FLOOR/GUIDES AND ADJUST HEIGHT OF DOOR AS REQUIRED.
DOOR RATTLES	ENSURE LOCKING NUTS & SCREWS ON HANGERS ARE SECURED AND NOT LOOSE.
DOOR IS NOT ENGAGING CLOSING DEVICE	ENSURE HANGERS ARE CORRECTLY ORIENTED. SEE STEPS #4 - #5. ENSURE CATCH 'N' CLOSE CLOSING DEVICES ARE IN CORRECT RETRACTED OR EXTENDED POSITION PRIOR TO SLIDING DOOR CLOSED/OPEN. SEE STEP #15.
REPLACING THE CATCH 'N' CLOSE DEVICE	THE CATCH 'N' CLOSE TRACK AND HARDWARE SYSTEM HAS BEEN DESIGNED FOR EASY INSTALLATION. REMOVE TWO SCREWS THAT HOLD CATCH 'N' CLOSE CLOSING DEVICE IN PLACE AND REPLACE DEVICE WITH A NEW ONE IF FAILURE OCCURS.